

FOCUS

Workplace LED



FOCUS SQUARE

Workplace LED

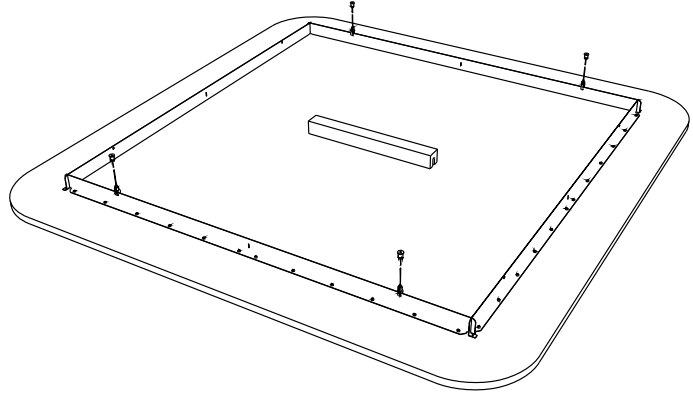
FOCUS offers a highly sophisticated light technology, powered by Bartenbach, manufactured in Switzerland. The high-tech light lens creates a virtually invisible light source and complements the acoustic panel design that address the light and acoustic requirements beautifully.

ARTICLE NUMBER

721.24.10.000.00

DIMENSIONS

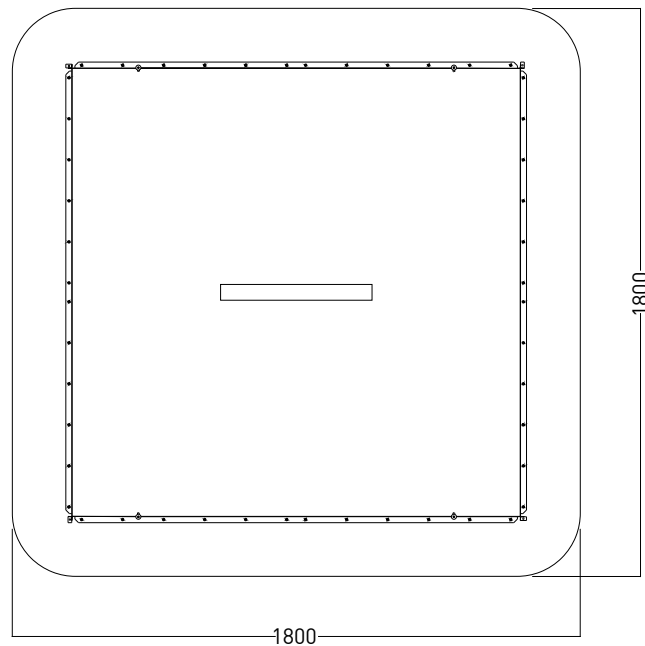
Length:	1800mm	70.86"
Width:	1800mm	70.86"
Thickness:	24 mm	0.94"



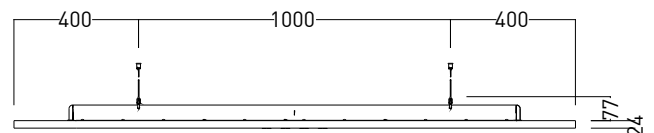
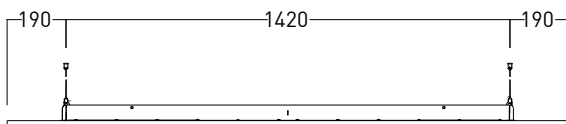
CONNECTION

FOCUS is hanged on to a ceiling with a metal frame attached behind the acoustic panel which then carried by four sets of hook brackets and tensile cable.

PLAN



SIDE ELEVATION



TECHNICAL DATA SHEET

FOCUS RECTANGLE

Workplace LED

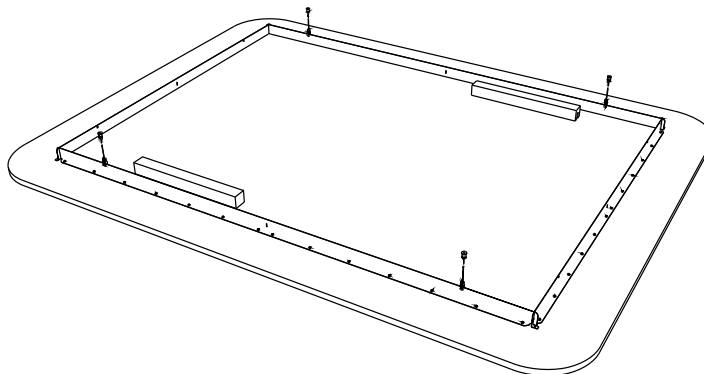
FOCUS offers a highly sophisticated light technology, powered by Bartenbach, manufactured in Switzerland. The high-tech light lens creates a virtually invisible light source and complements the acoustic panel design that address the light and acoustic requirements beautifully.

ARTICLE NUMBER

721.24.11.000.00

DIMENSIONS

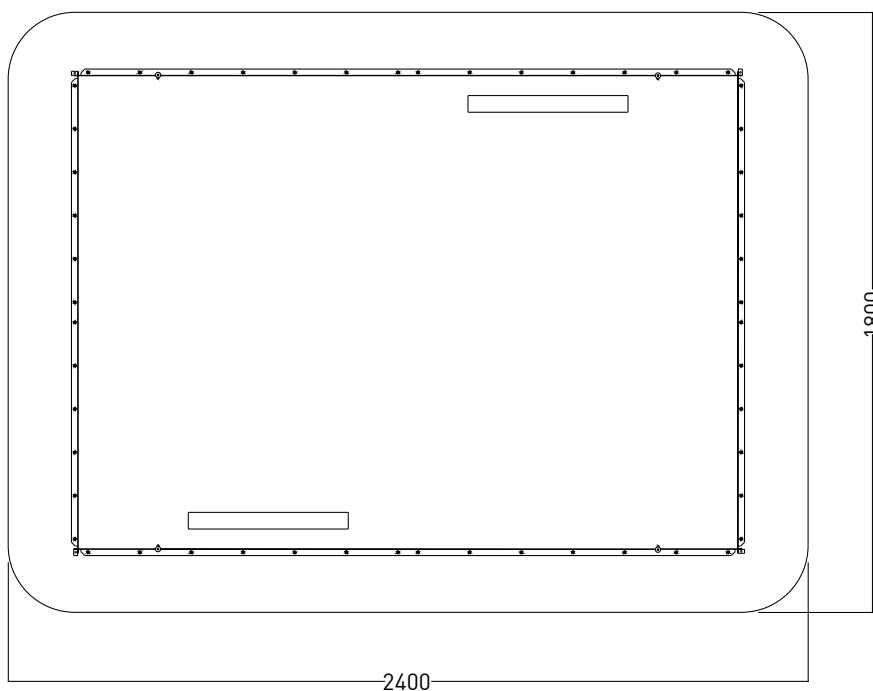
Length:	1800mm	70.86"
Width:	2400mm	94.48"
Thickness:	24 mm	0.94"



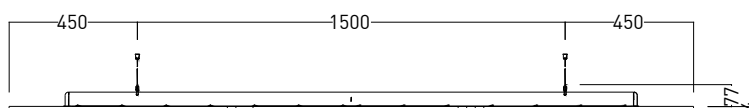
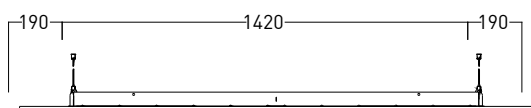
CONNECTION

FOCUS is hanged on to a ceiling with a metal frame attached behind the acoustic panel which then carried by four sets of hook brackets and tensile cable.

PLAN



SIDE ELEVATION



TECHNICAL DATA SHEET

ARCHISONIC®

Colour Families

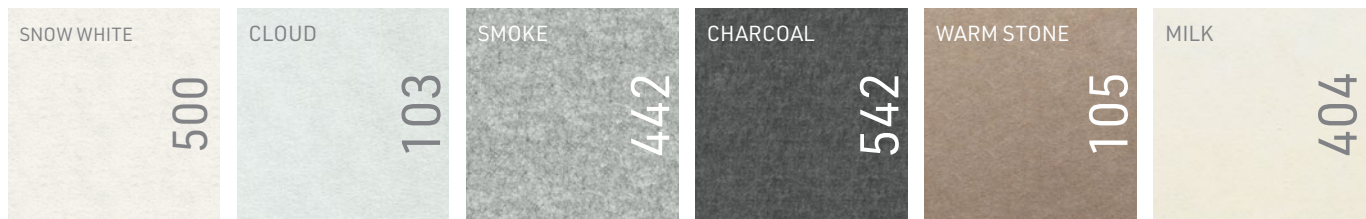
ARCHISONIC® is a high-performance sustainable acoustic absorber made from upcycled plastic bottles which is Cradle to Cradle certified and LEED accredited.

ARCHISONIC® is manufactured at the highest quality standards, yet slight color and surface deviations caused by the high degree of recycled fiber are an inevitable part of the product characteristics and do not claim warranty services.

Material varies in colour when shown in monitor or in print. Please request a material sample to verify colours.

QUIET NEUTRALS

24 mm



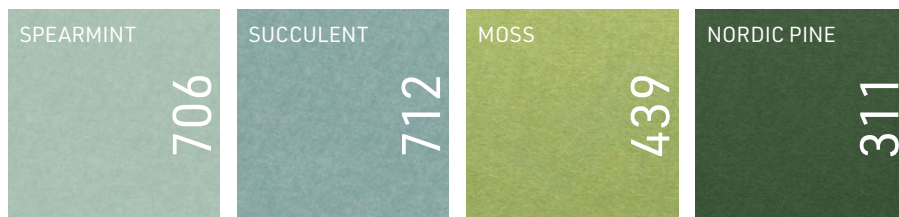
WARM NEUTRALS

24 mm



LIVING GREENS

24 mm



ELEMENTAL BLUES

24 mm



SOOTHING PASTELS

24 mm



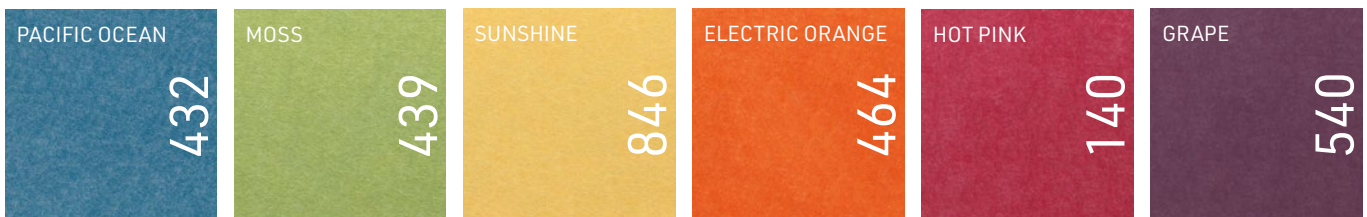
ELEGANT DARKS

24 mm



ENERGETIC BRIGHTS

24 mm



PRIMARY PLAY

24 mm



DIMENSIONS

ARCHISONIC® 24 mm 1800 x 2400 x 24 mm (70" x 94" x 0.94")
ARCHISONIC® 12 mm 1200 x 2800 x 12 mm (47" x 10" x 0.47")

COMPOSITION

100% PET (min. 60% post-consumer)

FIRE TEST

DIN EN 13501-1 B-s1, d0
ASTM E-84 Class A

VOC EMISSION

CDPH 01350 Pass
ISO 16000 (CDPH/EHLB/Standard Method V1.2.)
EN 16516

COLOUR FASTENESS

EN ISO 105-B02, A1 Grade 6

SOUND ABSORPTION

DIN ISO 11654

24 mm aw 0.55 (no airgap)
aw 0.65 (50 mm / 2" air gap)
aw 0.90 (100 mm / 4" air gap)
aw 0.95 (200 mm / 8" air gap)
aw 0.95 (300 mm / 11" air gap).

12 mm aw 0.30 (no air gap)

MATERIAL REUTILISATION

ARCHISONIC® 24 mm 88 plastic bottles/m²
ARCHISONIC® 12 mm 53 plastic bottles/m²

ENVIRONMENTAL

Cradle to Cradle Certified™
Product qualifies for LEED v4 specifications on VOC emissions in LEED EQ credit (Low-emitting products)

SUPPORTED BY

Climate KIC

