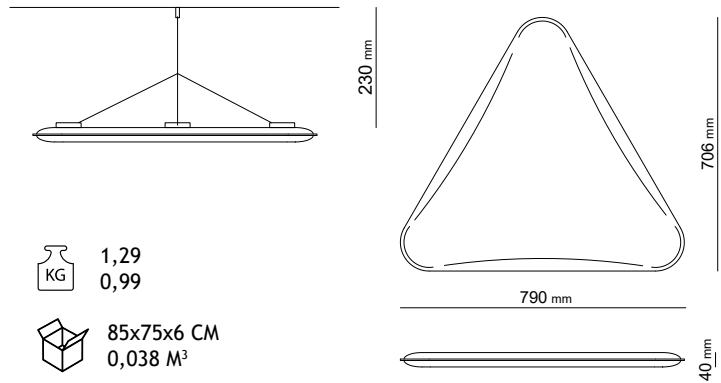


CLOAK

design by Moreno De Giorgio

LightSound is a system that has been created to meet the acoustic and visual comfort needs, and to create a wellness space in the professional world. The human factor and technology are the basic components for the creation of contemporary work spaces. This product intervenes to create the right lighting and acoustics by reducing noise and, at the same time, perfectly illuminating the area. The office wellness becomes one of the most important elements of the design. The world of work merges with hospitality, perception and comfort.



Description	Triangular pendant/wall-mounted sound-absorbing panel. In the pendant version, it can be combined with the Petal panel and Triangle and Easy lamps from the LightSound collection.
Structure	Plastic hooks for the cable or for wall-/ceiling-mounting placed on the corners.
Composition	Thermoformed polyester upholstered in Trevira CS fabric in a variety of color options.
Sound-absorbing	Surface area: - 0,35 M2 (wall-/ceiling) - 0,70 M2 (pendant) Variable sound absorption coefficient in third-octave band values: equal to or more than 1 at average frequencies (arranged in suspension). Reference standards UNI EN ISO 354, UNI EN ISO 11654. Sound-level graph: Fig. 1
Fabrics	<p>B01/009* B01/013* B01/019* B01/012* B01/018 B01/011 B01/023 B01/222</p> <p>* colors available from stock. Production lead time for non-stock colors: 5 weeks exclusive of delivery time.</p>

Standards	<p>I Class 1 Curtains and Drapes</p> <p>OEKO-TEX® OEKO TEX N. 072150.0</p> <p>F M1</p> <p>GB BS 5852 Crib N°5 using a CM Foam 35 Kg/cu.m.</p> <p>D B1 DIN 4102</p> <p>EN 1021 Part 1-2 using a CM Foam 35 Kg/cu.m.</p> <p>USA Calif. Bull. 117, Section E, Part I</p>	<p>A Q1 (OENORM 3800 PART 1)</p> <p>A B1 (OENORM B 3825)</p> <p>☼ Azimut serie Mirage IMO RES.A. 688(17)-Bedding Components IMO RES.A. 563(14)-Draperies, Curtains IMO RES.A. 653(16)-Surface Materials and Floor Covering IMO Res.A.652(16) FTP Code MSC 61 (67) Annex 1 Part 8 - Flame Retardant, polyurethane flexible foam, nominal density 35Kg/mq. in class 1 IM according to UNI 9175 supplied by the Laboratory.</p>
------------------	--	---

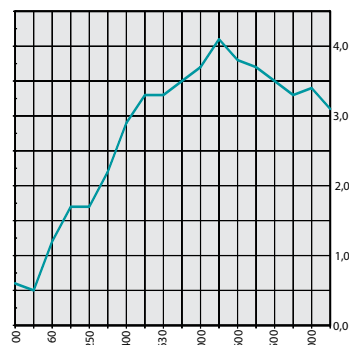


Fig. 1

LightSound
CLOAK

SPECIFICATION
SHEET